



VERTICAL SHEET STORAGE WORKSHEET

RACK ENGINEERING DIVISION, LLC

PRODUCT DESCRIPTION

Number of Drawers: _____

Drawer Capacity: _____
(Max 2,000 pounds)

Sheet Height: _____

Sheet Depth: _____

Drawer Loading Space (inches): _____
(Standard: 2")

Any Space Restrictions (if available): _____

Additional Information: _____

CONTACT

Company _____

Contact _____

Phone Number _____

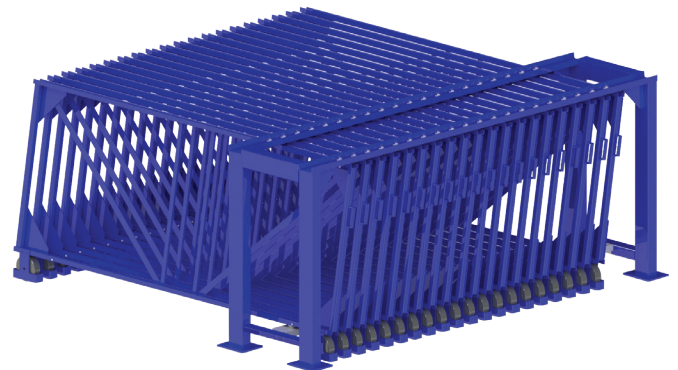
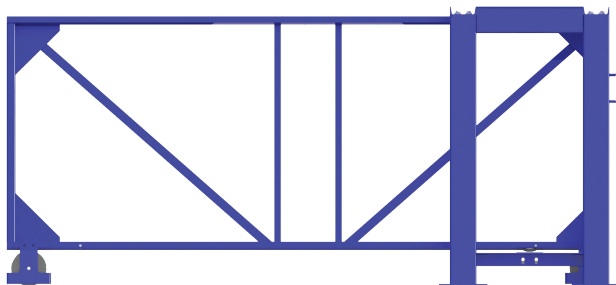
Email _____

Quote Date _____

Today's Date _____

OPTIONS & ACCESSORIES

- Customizable Drawer Sizes
- Standard (3) to (25) Drawers
- Greater Number of Drawers
- Solid Drawer for Remnant Storage





VERTICAL SHEET STORAGE WORKSHEET

RACK ENGINEERING DIVISION, LLC

SPECIFICATIONS

Maximum Drawer Weight Capacity: 2,000 pounds

Standard Size Offerings:

3 to 25 Drawers

48" to 72" Sheet Height

96" to 144" Sheet Depth

2" of Drawer Loading Space

Number of Drawers and Drawer Loading Space

Determine Overall Width of Each Unit

Sheet Height Determines Overall Height of Each Unit

PART NUMBER EXAMPLE

VS60120-102-2000

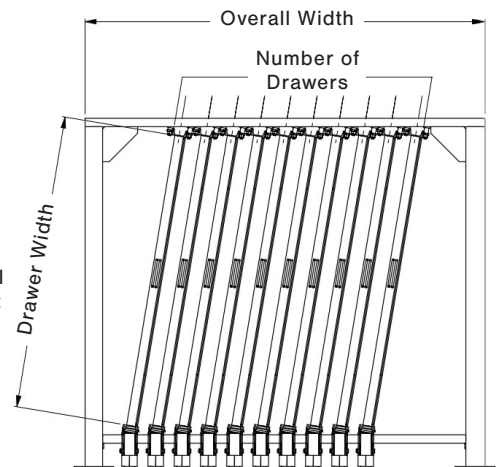
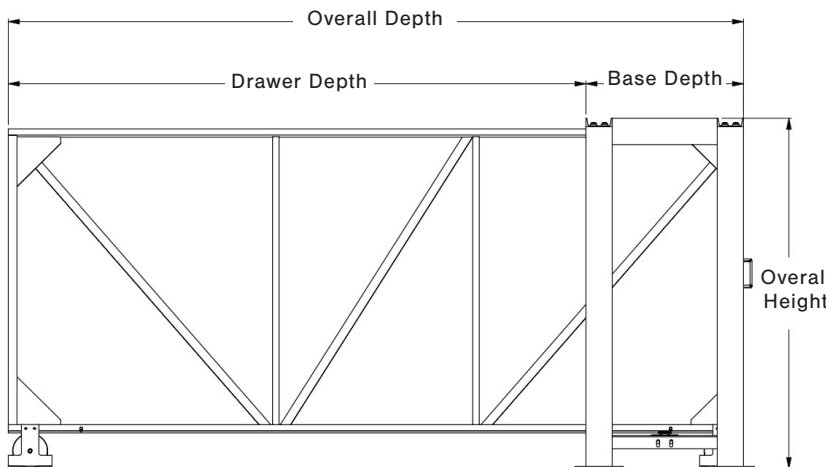
Sheet Height (inches)

Sheet Depth (inches)

Number of Drawers

Loading Space (inches)

Drawer Weight Capacity (pounds)



ABOUT US

Rack Engineering Division, LLC specializes in the manufacturing of racking and storage solutions that are heavy duty and constructed to endure high capacities and tough industrial environments. Rack Engineering Division, LLC was originally founded in 1935 in response to an industry need for cost effective solutions to storage and handling problems for raw materials and tooling while helping customers save time and space by optimizing workflow. We remain dedicated to solving high-capacity storage challenges with a quality product supported by a wide network of distributors and integrators throughout North America.