



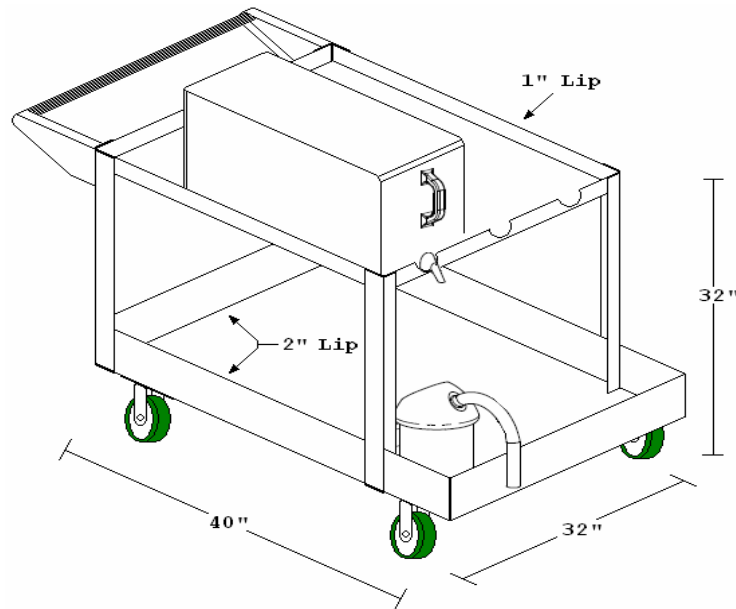
P.O. Box 205  
Alpena, Michigan 49707  
989-358-7050  
fax: 989-358-7055

**Toll Free: 800-245-6890**

**VISIT OUR WEB SITE AT: [www.rack-eng.com](http://www.rack-eng.com)**

## FROM CONCEPT TO REALITY

### Mobile Lube Cart



### Application Benefits

- Maintain supplies in one cart for easy access
- Additional space beneath top shelf for tools
- Allows for easy storage, retrieval, and dispensing of important machine lubrication

### Available Options

- Custom colors
- Increased capacity castors
- Stainless steel construction
- Maple/UHMW tops
- CNC configurations
- Electrical receptacle



SPECIALTY PRODUCTS

*providing products that solve problems*

SPECIALTY PRODUCTS

SPECIALTY PRODUCTS