

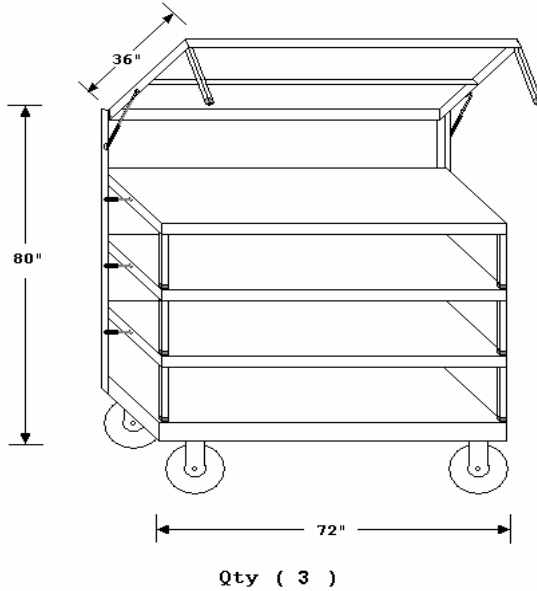


P.O. Box 205
Alpena, Michigan 49707
989-358-7050
fax: 989-358-7055

Toll Free: 800-245-6890

VISIT OUR WEB SITE AT: www.rack-eng.com

FROM CONCEPT TO REALITY



Mobile High Density Production Parts

Features

- (4) 1,200# Capacity Fold Up Levels
- 6.5# of Force To Lift Levels, 9# of Force To Close.
- (4) 10 x 2 - 1,500# Capacity Casters
- Load, Transport And Unload Parts To Production Area
- Easy Accessibility

Options Available

- Custom Sizes
- Custom Colors
- Heavy Duty Fork Pockets



SPECIALTY PRODUCTS

SPECIALTY PRODUCTS

SPECIALTY PRODUCTS

providing products that solve problems