



P.O. Box 205
Alpena, Michigan 49707
989-358-7050
fax: 989-358-7055

Toll Free: 800-245-6890

VISIT OUR WEB SITE AT: www.rack-eng.com

FROM CONCEPT TO REALITY

All Welded, 10,000 lb Capacity Work Benches



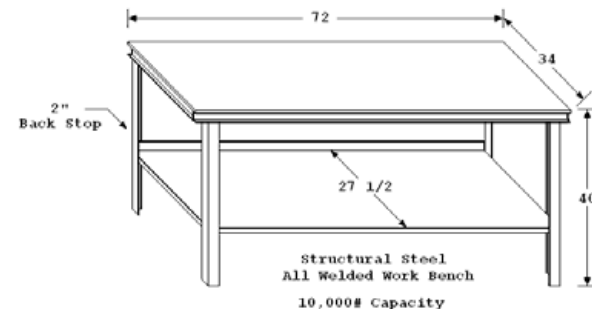
- 1/4" Steel Top (stainless available)
- Heavy Channel and Angle Iron Frame
- Can be Punched to Attach Vises or Fixtures
- Available with Hanging Drawers and Cabinets

Sizes Available:

HEIGHT: 30" To 46" in 1" Increments

WIDTH: 30" To 120" in 1" Increments

DEPTH : 26" To 60" in 1" Increments



SPECIALTY PRODUCTS

SPECIALTY PRODUCTS

SPECIALTY PRODUCTS

providing products that solve problems